

## 31 and 33 DVI Gas Fireplace Inserts



fireplace**x**tordinaire™



*Model 31 DVI gas insert with large Universal face/panel and optional brick fireback.*

### Great Features At An Affordable Price

Introducing our new DVI series of gas inserts. Representing a new direction in gas heating, these gas inserts offer you a "top-quality" gas fireplace insert with unique design options at an affordable price.

The DVI series is all about basics: a big, beautiful, brightly glowing fire and a simplified operating system, while offering the same construction and glass viewing area as the top selling Fireplace Xtrordinair Model 32 DVS GreenSmart and Model 34 DVL GreenSmart gas inserts. Both DVI inserts feature the split-flow Dancing-Fyre™ burner with your choice of hand-crafted logs and glowing embers or stone kit with glass media floor. The IPI (electronic ignition) gas valve provides a great fire presentation and a "green" money saving solution to home heating. For convenient hands free operation you can also add an optional wall thermostat or remote control thermostat.

### Turn Your Old Fireplace Into An Efficient Heat Source

DVI gas fireplace inserts are designed to transform virtually any metal or masonry fireplace into an efficient source of heat. Traditional open fireplaces have efficiency ratings as low as 15% and can actually draw the heat out of your home! Fireplace Xtrordinair gas inserts achieve efficiency ratings as high as 80%. The 31 DVI may be used as a primary heat source in smaller homes. The 33 DVI is ideal for heating medium to large homes. Both inserts are also ideal for zone heating when you only want to heat a portion of the home.

## Features

- Dancing-Fyre™ Burner offers the choice of a traditional logset with realistic logs, glowing red embers and wood-like fire or the Stone kit with tumbled glass floor in your choice of reflective platinum, bronze or cobalt blue colors.
- Easy Heat/Flame Adjustment with a large high-to-low flame turndown ratio.
- Comfort Control™ that allows you to turn off the rear burner for less heat when desired or for year-round enjoyment of the fire.
- Built-in battery backup allows continued operation of your gas insert during power outages. Automatically switches back to AC when the power comes back on.
- The DVI inserts are heater rated and can be used as the primary heat source in your home.
- LED lights automatically light up the control panel when you lower the control door. Powered by a 9 volt battery, this feature operates even during power outages.
- Choice of pilot ignition modes - money saving IPI Electronic Ignition mode for instant fire when you need it or Standing Pilot for colder climates where a heated chimney is needed to maintain the draft for proper operation.
- Approved for installation into both zero clearance (metal) and masonry fireplaces.
- Optional 180 CFM Convection Blower will increase the efficiency and rate of heat transfer from the insert into your home. The blower cannot be added after insert is installed.
- LP Conversion kit included with insert at no additional cost.

## Concealed Control Panel

Note: For convenience, the Main Burner switch can be located on the top right side of the finish panel.



Optional  
Blower Control

Flame Adjustment  
Control

Pilot Choice  
Switch

Comfort  
Control Switch

Battery  
Back-up

Main Burner Switch  
(Placed Here when used  
with inside fit panels)

## Choose either Stones or Logs

Completely transform the interior appearance allowing the insert to fit a wide range of architectural styles. The Stone kit comes with tumbled glass floor in three colors (platinum, bronze or cobalt blue). The Traditional log set comes with glowing embers and beautifully detailed logs.



*Stone Kit with Glass Media*



*Traditional Log Set*

## Face Options

Choose from our large selection of high quality face designs in a wide variety of finishes to match virtually any decor.

### Complete Face/Panel

These faces do not require Finish Panels



#### Universal

31 DVI Small = 23" H x 37" W  
31 DVI Large = 29" H x 40" W

33 DVI Small = 27" H x 40" W  
33 DVI Large = 33 1/2" H x 44" W



#### Artisan™ Require backing plate

31 DVI Small = 23" H x 37" W  
31 DVI Large = 29" H x 40" W

33 DVI Small = 27" H x 40 1/4" W  
33 DVI Large = 33 1/2" H x 44" W

### Architectural™ Double Doors

Doors require backing plate. Choice of black painted rectangular or arched double doors. Antique nickel, antique copper and antique bronze onlays available for all faces.



#### Rectangular Doors

31 DVI Small = 23 1/8" H x 37 1/2" W  
31 DVI Large = 29" H x 40 3/8" W

33 DVI Small = 27" H x 40 1/4" W  
33 DVI Large = 33 1/2" H x 44" W

#### Onlay Designs



The Classic™ Onlay in antique bronze finish



Arts & Crafts Onlay in antique copper finish.



The Artisan™ Onlay in antique nickel finish



#### Arched Doors

31 DVI Small = 23 1/8" H x 37 1/2" W  
31 DVI Large = 29" H x 40 3/8" W

33 DVI Small = 27" H x 40 1/4" W  
33 DVI Large = 33 1/2" H x 44" W

### Faces That Require Panels

These faces require Finish Panels to complete.

#### Classic Arch™

31 DVI - 22" H x 30" W  
33 DVI - 26 1/2" H x 34 3/4" W



Black Painted



Brushed Nickel

#### Artisan™

31 DVI - 22" H x 30" W  
33 DVI - 26 1/2" H x 34 3/4" W



Black Painted



Antique Nickel



Antique Copper

#### French Country™

31 DVI - 22" H x 30" W  
33 DVI - 27 7/8" H x 33 5/8" W



Black Painted



Antique Gold



Antique Gold

#### Metropolitan™

31 DVI - 22" H x 30" W  
33 DVI - 26 1/2" H x 34 3/4" W



Black Painted



Brushed Nickel

## Additional Finish and Operational Options

### Firebacks

Leave the interior basic black for a very simple contemporary look, or add a ceramic brick fireback that looks like real masonry brick. The fireback is reversible and offers you the choice of Common Brick or Herringbone Brick patterns, and for a strikingly more contemporary look, choose the stainless steel liner which can be used with either logs or stone kits.



*Reversible Fireback - Common Straight Brick or Herringbone Brick shown with traditional logset option*



*Stainless Steel shown with rock kit option*

### Finish Panels

To complete the picture after the insert is installed in your fireplace, a set of panels are attached to the insert to accommodate the size variance between the insert face and the size of your existing fireplace opening. Arched panels are also available.

Designed to overlap the existing fireplace opening, these panels can also be cut down to fit inside the opening of the fireplace.



#### 31 DVI Panels

##### 4" x 6" Panels

37 1/8"W x 25"H

##### 8" x 10" Panels

40 3/8"W x 28 7/8"H

##### 10" x 13" Panels

44 3/8"W x 31 7/8"H

#### 33 DVI Panels

##### 4" x 6" Panels

40"W x 29"H

##### 8" x 10" Panels

44 3/16"W x 33 3/8"H

##### 10" x 13" Panels

48 3/16"W x 36 3/8"H

### Wall Thermostat

The wall thermostat allows you to set the desired temperature for your room. The fireplace insert will cycle on and off to maintain your set temperature. The wall thermostat can be wired up to 25 feet away from the appliance and allows for easy hands-free convenience.



### Remote Control

Adding a remote provides for the ultimate in convenient operation of your fireplace insert. The remote offers ON/OFF and thermostat setting. This remote control also offers a clock, fireplace timer to turn off your insert after a set time and a child-proof lockout.



### Convection Fan

This 180 CFM fan enhances and speeds up the natural heat transfer around the insert and directs it back into your home. Fan must be installed in the insert prior to installation in the fireplace.

### Insert Wiring Kit

The insert wiring kit allows you to hard-wire your AC power from inside the fireplace if you do not want to run a power cord across your hearth when using the optional fan or remote.

## 31 DVI Installation Specifications

Always refer to and use the Installation Manual for complete install information.

Heating Capacity:\* 500-1,500 Sq. Ft. - ideal for mid to small homes or zone heating a portion of your home

Maximum BTU/HR Input:\*\* 31,000 (NG/LP)

Minimum BTU/HR Input:\*\* 10,700 (NG) 12,600 (LP)

Efficiency:\*\* Up to 85% (NG) 85.5% (LP)

Dimensions: Height = 19 1/2" Width = 26 1/2" (Front), 18" (Back) Depth = 15 1/8"

\* Heating Capacity will vary with floor plan, insulation, and outside temperature.

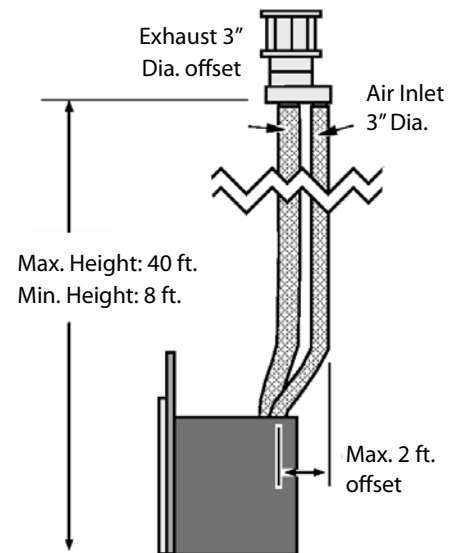
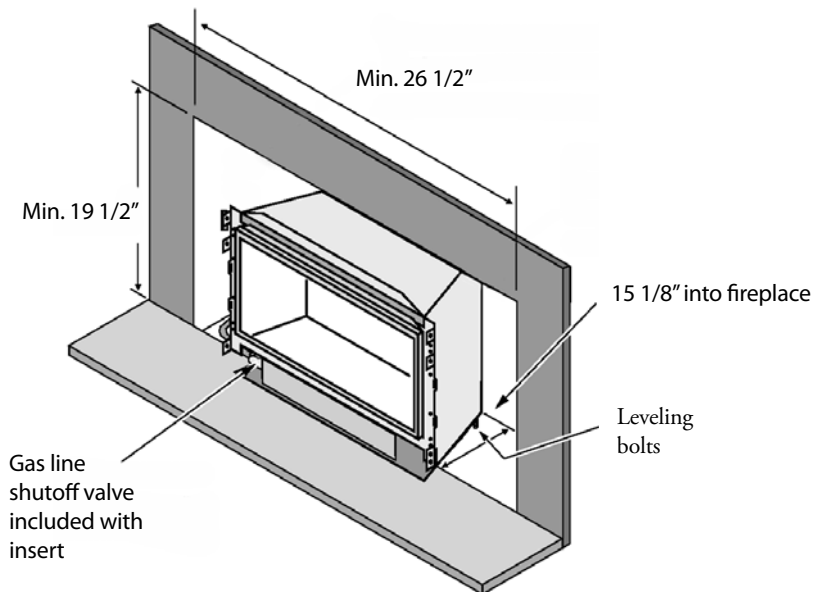
\*\* Efficiency rating is a product of thermal efficiency determined under continuous operation independent of installed system.

### Fireplace Requirements:

Insert must be placed within a code-conforming masonry or tested and listed factory-built (metal) wood burning fireplace.

### Venting Requirements:

- Requires UL listed (441 or 1775) Gas Liner for exhaust and air inlet.
- Simpson Duravent 6 5/8" to 3" & 3" Co-linear Adapter and flashing
- Simpson Duravent High-Wind Vertical Termination Cap



### Minimum Clearances:

Sidewall to insert: A = 4 1/2"

Side facing: B = 4 1/2"

Top facing: C = 35"\*

Mantel: D = 35"\*

Extension on Hearth E = 1 1/4"

\*Measured from the base of the insert.

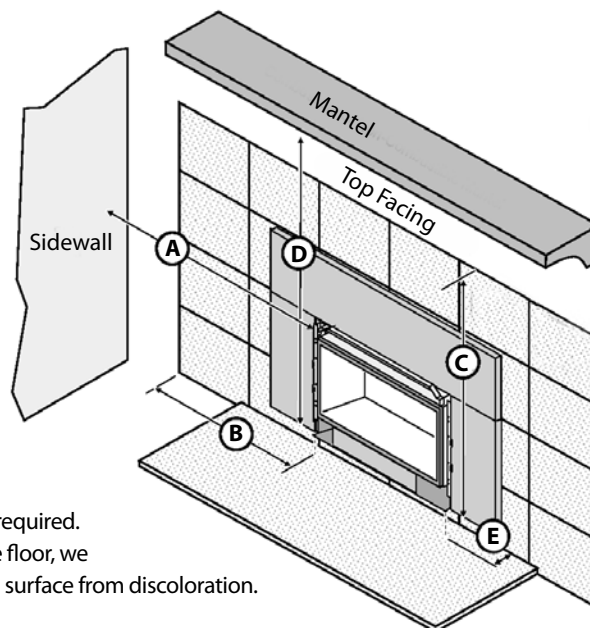
### Mantel & Top Face Clearance:

Maximum Mantel Depth is 12"

Maximum Top Facing Depth is 3/4"  
(otherwise considered a Mantel)

### Hearth Requirements:

A non-combustible hearth extension is not required. However, if the heater is installed next to the floor, we recommend a hearth to protect the flooring surface from discoloration.



### Listings:

This appliance was listed by OMNI Test Labs to ANSI Z21.88 - report # 028-F-73-5. The listing label is attached to the appliance near the gas control valve.

### IAS (ICBO) Approval

This appliance was listed by OMNI Test Labs - IAS # TL130.

### Massachusetts Approval

Submitted to the Massachusetts Board of State Examiners of Plumbers and Gas Fitters

## 33 DVI Installation Specifications

Always refer to and use the Installation Manual for complete install information.

Heating Capacity:\* 600 to 2,000† Sq. Ft. (†with optional fan)

Maximum BTU/HR Input:\*\* 40,000 (NG/LP)

Minimum BTU/HR Input:\*\* 11,900 (NG) 7,400 (LP)

Steady State Efficiency:\*\* Up to 84% (NG) 86% (LP)

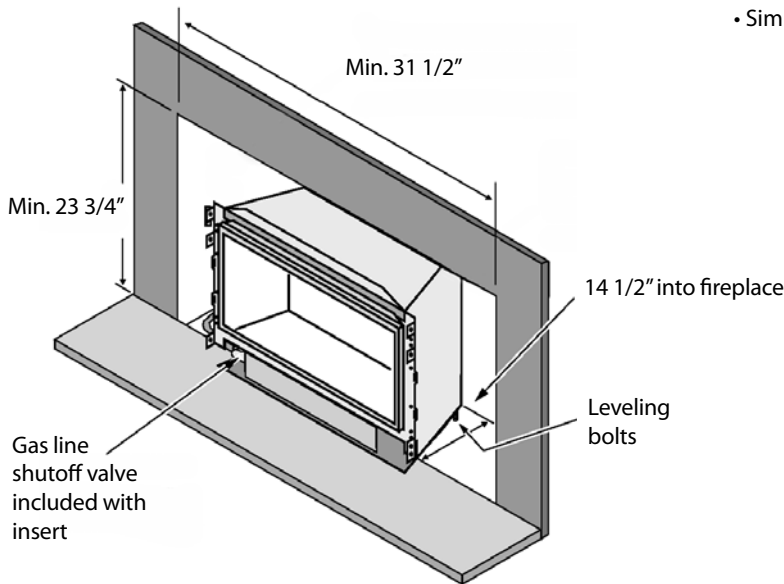
Dimensions: Height = 23 3/4" Width = 31 1/2" (Front), 20" (Back) Depth = 14 1/2"

\* Heating Capacity will vary with floor plan, insulation, and outside temperature.

\*\* Efficiency rating is a product of thermal efficiency determined under continuous operation independent of installed system.

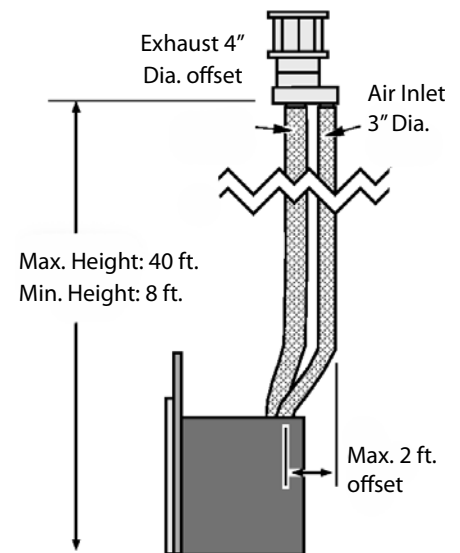
### Fireplace Requirements:

Insert must be placed within a code-conforming masonry or tested and listed factory-built (metal) wood burning fireplace.



### Venting Requirements:

- Requires UL listed (441 or 1775) Gas Liner for exhaust and air inlet.
- Simpson Duravent 6 5/8" to 3" & 4" Co-linear Adapter and flashing
- Simpson Duravent High-Wind Vertical Termination Cap



### Minimum Clearances:

Sidewall to insert: A = 4"

Side facing: B = 4"

Top facing: C = 35 1/2"\*

Mantel: D = 35 1/2"\*

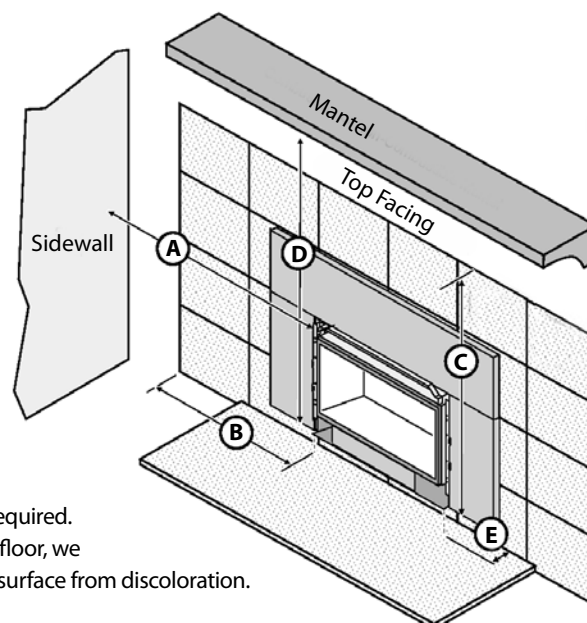
Extension on Hearth E = 1 1/4"

\*Measured from the base of the insert.

### Mantel & Top Face Clearance:

Maximum Mantel Depth is 12"

Maximum Top Facing Depth is 3/4"  
(otherwise considered a Mantel)



### Listings:

This appliance was listed by OMNI Test Labs to ANSI Z21.88 - report # 028-F-72c-5. The listing label is attached to the appliance near the gas control valve.

### IAS (ICBO) Approval

This appliance was listed by OMNI Test Labs - IAS #z TL130.

### Massachusetts Approval

Submitted to the Massachusetts Board of State Examiners of Plumbers and Gas Fitters

### Hearth Requirements:

A non-combustible hearth extension is not required. However, if the heater is installed next to the floor, we recommend a hearth to protect the flooring surface from discoloration.

# Warranty

Your gas fireplace insert is backed by up by a network of Specialty Hearth Dealers and certified factory trained Installers. Fireplace Xtrordinair warrants our products to be free from defects in material and workmanship for a period of 5 years from date of purchase. All parts, electronics (except light bulbs and filter), and labor are covered for a full 2 years. Trim and faces are covered for a period of one year. No other manufacturer's warranty can compare.

## Additional Fireplace Xtrordinair Products

If you are in the market for other hearth products, Fireplace Xtrordinair manufactures a full line-up of wood, gas and electric fireplaces and wood and gas fireplace inserts and the award winning Tempest Torch™ outdoor gas lamp.



### Electric Fireplaces

Fireplace Xtrordinair 564E Electric Fireplace offers the convenience of adding a fireplace to any room within your home. With no venting required, installation can be completed in as little as one hour. The 564E offers a selection of finish faces to match any home decor.



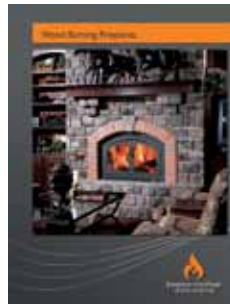
### Gas Fireplaces

If you are interested in the latest trends in fireplace design and green technology, Fireplace Xtrordinair's gas fireplace lineup offers a huge choice of traditional, and clean face fireplaces. These fireplaces operate with the efficiencies and performance of a gas furnace.



### Fireplace Inserts (Wood or Gas)

Turn your old, open masonry or metal (zero clearance) fireplace into a clean, efficient source of heat for your home. Fireplace Xtrordinair offers a complete line of heater rated, green technology wood and gas inserts to fit virtually any existing fireplace opening.



### Wood Burning Fireplaces

If you prefer heating with wood, Fireplace Xtrordinair also manufactures a line of EPA Certified clean burning fireplaces that feature the remarkable Posi-Pressure complete home heating system.



### Illuminations Candlescapes

The Illuminations™ ambiance lighting is a breakthrough product designed to mimic the beauty of real burning candles. With a flick of a light switch or remote control, add ambiance and light without the mess or safety issues of candles. These fireplaces can be installed either single-sided or as a see-thru units.



### Tempest Torch™

The Tempest Torch outdoor gas lamp is designed to create the ultimate in lighting enhancement. The patent pending Tempest Torch creates a natural venturi effect causing the flame to spiral and dance within the tempered glass walls without the use of electricity. Also available in a table top model.



See our complete line of fireplaces  
Visit us online: [www.fireplacex.com](http://www.fireplacex.com)

We reserve the right to change and improve our product at any time without prior notification. Please refer to the Owner's Installation Manual for complete installation requirements.

Photos and illustrations are for descriptive purposes only • Copyright © 5/2010

