

Arbor™ Cast Iron Pellet Stove

AVALON
Firestyles for Life



The Easy Way To Heat Your Home

Beauty in Design and Function

Once you've experienced the Avalon Arbor cast iron pellet stove, it's easy to see why so many people have become excited by its beauty, design and efficiency. Simulating early American architecture with a touch of nature, the Arbor Pellet stove's exterior and interior detail is uniquely elegant contributing in a warm and fashionable way to heat your home. From its sculptured legs, picture frame fireviewing doors to the cast iron cherry blossoms that entwine themselves up the sides, the Arbor gives you a subtle organic demeanor that will look perfect in any home.

Take Control of Your Heating Cost

The exquisite, nature inspired iron detailing is not the only thing that sets the Arbor Pellet stove apart. The Arbor pellet stove provides you with an economical, convenient and earth-friendly way to heat with wood waste - the wood pellet! Perfect as a secondary heat source or for zonal heating a portion of your home, the Arbor makes an ideal source to help maintain control over your heating expenses. The Arbor pellet stove economically burns pellets made from compressed sawdust.



Uncomparable Performance with Minimal Emissions

The Arbor pellet stove provides you with automated, efficient way to heat your home. This is accomplished by our state-of-the-art control board that helps monitor the fuel-to-air ratio within the stove and ensures almost complete combustion of the fuel with very little ash. This technology helps to produce virtually no smoke, making Avalon pellet stoves one of the lowest emission solid-fuel burning hearth product available.

The Arbor has the most technologically advanced heat exchange system Avalon has ever engineered. Along with the benefits of radiant heat transfer off the cast iron surfaces, the Arbor pellet stove features a remarkably quiet 165 CFM fan that pulls heat from around the firebox and transfers it into the home through 12 heat exchange tubes. The mid-sized Arbor pellet stove uses less floor space and delivers more heat than many larger competitive models.

<i>Hopper Capacity</i>	<i>Heating Capacity*</i>	<i>Btu Range*</i>	<i>Max Burn Times* In Continuous Burn Mode</i>	<i>Burn Feed Rate Per Hour</i>	<i>Overall Efficiency</i>	<i>Glass Area</i>	<i>Flue Size</i>
50 Pounds	800 to 2,250 Square Feet	Low - 13,940 High - 45,100	9 Hrs. on High 29 Hrs. on Low	5.5 Lbs. on High 1.7 Lbs. on Low	85%	249 Sq. In.	4"

** Heating Capacity may vary depending on the degree of home insulation, floor plan, ambient temperature zone of the area in which you live. Contact your local building officials about installation requirements in your area. Burn Time and Btu Range will vary with brand and size of pellets.*

Standard & Optional Features



1 Top Load Convenience

Arbor Pellet stoves are easy to fill, simply lift the easy-to open lid and pour in the pellets. The Arbor holds an amazing 50 lbs. of pellets - more than one full bag, this is 20% more than other medium sized pellet stoves. And it burns up to 29 hours of continuous operation without refueling!

2 It's All in the Details

The balance and symmetry of this stove impart an elegant charisma. The fine quality details are featured on every inch of the stove from the sculptured castings in the sides, under the loading door, around the fireviewing glass and cast legs.

The large double doors feature a view of the fire with 249 sq. in. of high temperature ceramic glass.

Avalon stands behind the Arbor Pellet Stove with our "Real World" Seven Year Warranty.

3 Automatic or Manual Operation

Operate your pellet appliance automatically. Install your wall thermostat or add an optional



remote control thermostat for the ultimate in hands-free operation. You simply set the thermostat or optional remote control to the desired temperature and the pellet stove will do the rest. The wall thermostat is standard on all Arbor models. If you choose to operate your pellet appliance manually, simply set the feed rates and push the start button to activate the auto igniter. Within minutes your pellet appliance is in full operation.

4 High Efficiency Performance

The Arbor features the most advanced heat exchange system Avalon has ever engineered. This system utilizes a super-quiet 165 CFM fan to transfer heat from 3 convective surfaces and through 12 heat exchange tubes for maximum efficiency. For a mid-sized pellet stove the Arbor delivers "Big Stove" performance!



5 Versatile Fuel Mixing

The unique heavy-duty stainless steel burnpot allows the Arbor to accept up to a 50/50 mix of feed corn and pellets. Using biomass fuel can reduce heating costs. And the Arbor technology accepts lower grade pellets without compromising reliability.



6 Easy-Glide Ashpan

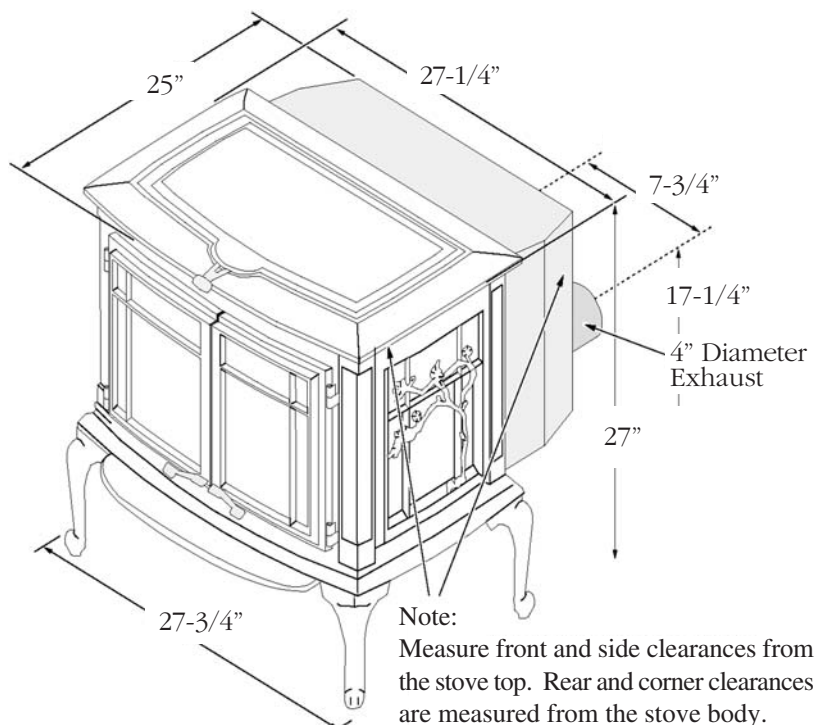
Our user-friendly ash pan has the most sophisticated ash removal system ever offered on a pellet stove. It glides on ball bearings and has a handle for easy lifting so you can quickly and empty the ashes. Our system requires no awkward or uncomfortable bending or stooping and results in cleaner, faster, more efficient ash removal.

7 Detailed Optional Logset

The optional ceramic logset gives the illusion of a real wood burning fire to the Arbor pellet stove.

All Avalon Firestyles are proudly built in the U.S.A.

Dimensions



Your Avalon Dealer

Your Avalon Dealer was chosen to present our products because of their commitment to the customer. They are trained to provide the best possible sales expertise, assist you in selecting the right hearth appliance and provide proper installation to ensure flawless operation. They are truly your local hearth-product specialist.

Testing

The Avalon Arbor pellet stove is safely tested and listed by Omni-Test Laboratories, Inc. to ASTM E-1509 1996 and ULCC 1482.

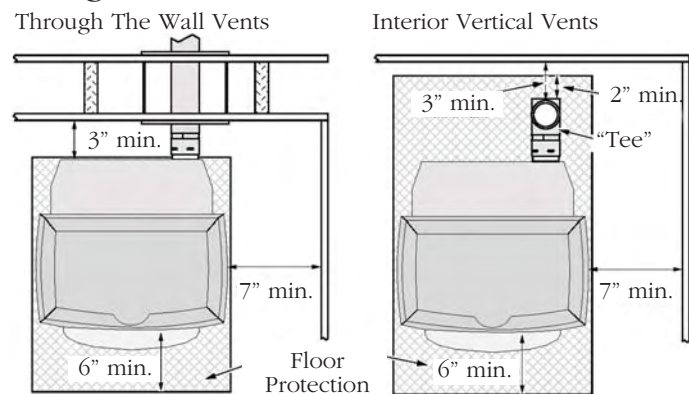
The Avalon Arbor pellet stove has been tested and listed for use in manufactured homes in accordance with the Oregon Administrative Rules 814-23-900.

Note: Improper installation of your pellet appliance or failure to operate it in accordance to the guidelines detailed in the Owner's Manual may negate your warranty.

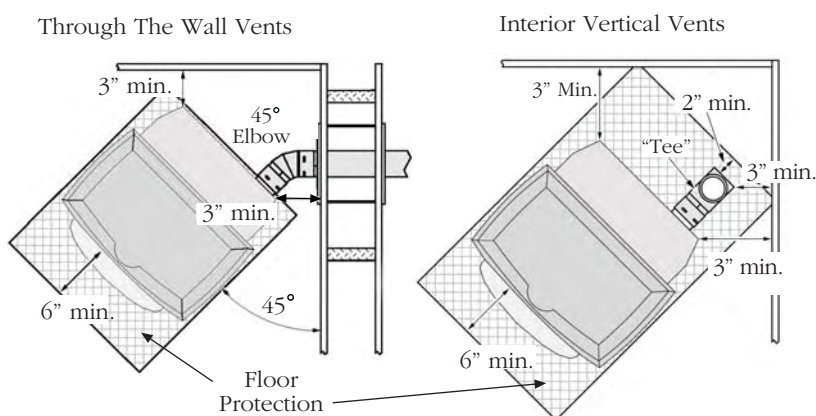
We recommend all Avalon pellet appliances be installed and maintained on an annual basis by your Avalon specialty hearth retailer.

Close Clearances To Combustibles Consult the Owner's Manual for complete installation requirements.

Straight Wall Installations



Corner Installations



Note: If interior vertical pellet pipe is used, the clearance to the backwall is determined by the upward-turning elbow or "Tee". It will vary in depth depending on the brand of pellet vent used (it is approximately 5"). Before placing the heater, connect the elbow or "Tee" and measure off the 3" clearance from the back wall.



Visit us online:
www.avalonfirestyle.com