

Tree of Life™

**AVALON™**
Firestyles for Life



Direct Vent Gas Stove

Tree of Life™ Gas Stove



Shown in the Cast Black Painted Finish

Inspired by the Gothic arches of cathedrals in Europe and a love of nature, the Tree of Life's delicate branch and leaf design is as captivating as its story. Early worshippers gathered in the woods before churches were ever built. Later, when cathedrals were constructed, this Tree of Life design was incorporated into their structures, reminiscent of the natural arches of the trees and branches interlocking. Today many of us still commune with trees and nature, spending time in the outdoors to feel connected, refreshed and inspired.

The Tree of Life™ features a view of the fire on three sides for a huge 538 square inches of viewing area! The double doors can be positioned open (note the finely cast detail even on the inside of the door) or completely removed for unobstructed fire viewing.

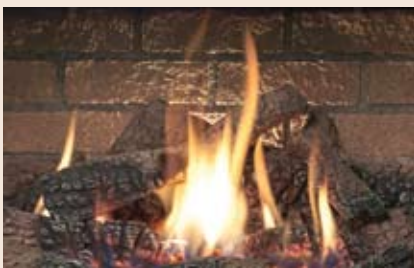
<p>Maximum BTU Input per Hour 31,000 (NG & LP)</p>	<p>Minimum BTU Input per Hour 12,600 (NG) 10,700 (LP)</p>	<p>Heating Capacity 500 to 1,500 sq. ft.</p>	<p>Overall Efficiency - Up to 86.5%* (NG & LP) * Maximum Vent Configuration</p>
--	---	--	---

* Gas appliance performance can be affected by negative pressure in the home and by prevailing atmospheric conditions. Contact local building or fire officials about restrictions and installation requirements in your area.
** Overall efficiency measured with maximum flue configuration. Heating capacity shown with blower.

Revolutionary GreenSmart™ System

The Tree of Life features the revolutionary GreenSmart gas burner system and realistic Ember-Fyre burner. The GreenSmart system is the latest in energy-efficient gas technology that heats the home while saving on energy usage and lowering heating bills. The real power of the GreenSmart system is the entire collection of components, controls and technology features which include:

- Award winning Ember-Fyre burner for the most realistic logs, glowing embers and wood-like fire.
- Easy Heat/Flame Adjustment with a huge high-to-low turndown ratio - up to 60%.
- Comfort Control™ that allows you to turn off the rear burner for less heat and provide for year-round enjoyment of the fire in the stove.
- DC Battery powered LED lighted control panel that automatically lights up when you lower the access panel. Works even if the power goes out.
- Choice of pilot ignition modes - GreenSmart ignition for instant fire when you want it or Standing Pilot for colder climates where a heated chimney is needed to maintain the draft to ensure proper operation.
- Built-in battery backup allows operation during power outage. Automatically switches back to AC when the power comes back on.
- A warm glow even when the fire is turned off. The standard Accent Light feature adds a glowing back-light behind the logs and against the beautiful ceramic fireback. It's perfect as a year-round night-light or soft indirect light for the room.



- Optional 130 CFM Convection Blower will increase the heat transfer in from the stove into your home.

GreenSmart™ Remote Option

Consider adding the optional GreenSmart Remote. This convenient option gives you the ability to control all the functions of the stove from one easy-to-use hand-held remote with the exception of your pilot setting and accent light. The GreenSmart Remote gives you the choice to run the stove in manual mode, set to the traditional thermostat mode or in the "Smart Thermostat Mode". In "Smart Mode" the flame will modulate up/down as opposed to shutting off/on like normal thermostats, thus conserving fuel and maximizing heating ability while extending the viewing pleasure of the fire. The end result – an elegant, smarter and greener way to heat the home.



Optional Reversible Liner

The Tree of Life gas stove comes standard with a black painted interior. You have the option of adding the reversible ceramic liner that features straight brick pattern on one side and a herringbone pattern on the backside.



Brick



Herringbone

Choose From Two Finishes

The Tree of Life gas stove comes in your choice of two finishes.



Black Painted

Soft black paint tones echoes and highlight the richness of cast iron finish.



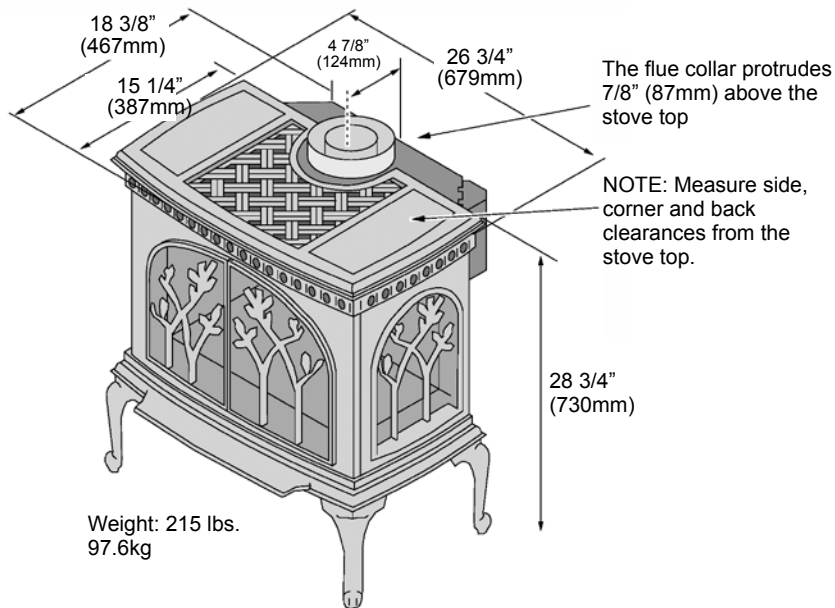
Majolica Brown Enamel

The glossy, twice-fired porcelain enamel features a rich earth brown tone.

All Avalon freestyles are proudly made in the U.S.A.

Tree of Life™ Gas Stove Installation Guide

Always refer to the Owner's Manual for installation requirements!



Listings

This appliance was listed by OMNI Test Labs to ANSI Z21.88 - Report # 028-S-50d-5.

IAS (ICBO) Approval

This appliance was listed by OMNI Test Labs - IAS # TL130.

Massachusetts Approval

Submitted to the Massachusetts Board of State Examiners of Plumbers and Gas Fitters

Mobile Home Requirements

When the stove is installed in a mobile home, it must be bolted to the floor and the appliance grounded (use the optional blower with a grounded circuit or other suitable grounding method - current ANSI/NFPA 70 or CSA C22.1).

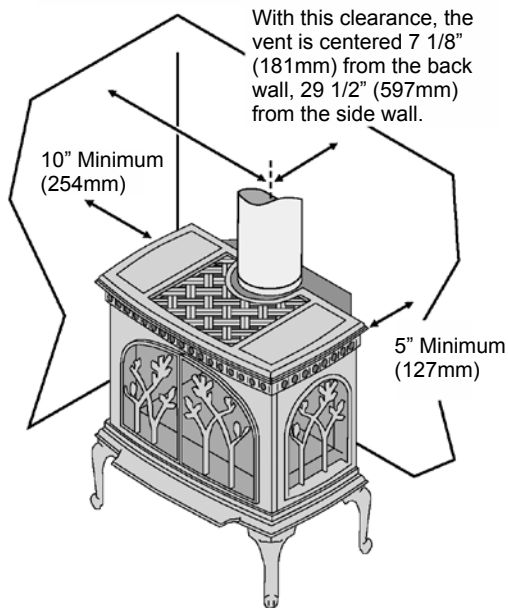
Venting:

The Tree of Life uses 6-5/8" (168mm) diameter Simpson Dura-Vent Direct-Vent Pro (or GS).

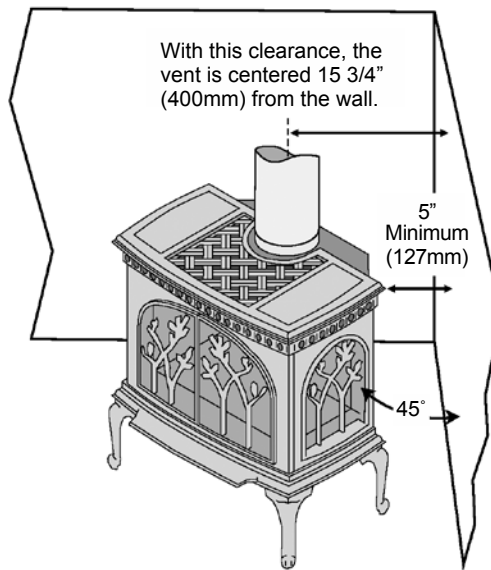
Always use the high-wind cap (or high-wind sconce cap, part # 46DVA-HSCH).

Stove Clearances to Combustibles

Straight Wall Installation



Corner Installation



Alcove:

When placed in a location where the floor to ceiling height is under 7 feet, the installation is considered an alcove and must meet the following requirements: - The alcove floor to ceiling height must be at least 58" (1473mm) tall - The alcove must not be more than 45" (1143mm) deep before the ceiling returns to 7' (2134mm) - The alcove must be at least 46-3/4" (1187mm) wide

Floor Protection Requirements

When the stove is installed directly on carpeting, vinyl or other combustible material other than wood flooring or a high pressure laminate wood floor, the stove must be installed on a metal or wood protection panel extending the full width and depth of the heater (Minimum 26-3/4" wide by 19" deep).

Your Authorized Avalon Dealer Is Located At:


www.avalonfirestyle.com