



MT. VERNON STOVE & INSERT

QUADRA-FIRE[®]
NOTHING BURNS LIKE A QUAD



Airfoil Heat Exchanger



Wood Pellets



Corn



Sunflower Seeds



Wheat



Black



Mahogany



Sienna Bronze



Willow

SPECIAL FEATURES

ENERGY EFFICIENT

With its Advanced Energy technology, the Mt. Vernon delivers bold performance with ease. A few simple adjustments and your part is done. The Mt. Vernon does the rest with easier starts while maintaining the most efficient burn level, quietly raking heat off the airfoil heat exchanger and distributing it into the room.

FUEL VERSATILITY

The Mt. Vernon burns a wide variety of biofuels, including:

- Wood Pellets: *Premium, Standard, High Ash*
- 100% Corn
- Sunflower Seeds
- Wheat

You simply choose the most economical source that is available for your home heating needs. The Mt. Vernon makes the adjustments for the best burn possible.

CAST IRON BEAUTY—FOUR STUNNING COLORS

Our beautiful cast design is made of the finest Belgian cast iron. Extraordinary colors: classic *black*, *mahogany* porcelain, *sienna bronze* and *willow* baked enamel finish—all gorgeous, high quality and made to last.



Programmable Thermostat Wall Control

SMART OPERATION

The Mt. Vernon is the intelligent pellet burner. You simply choose the fuel type—and the pre-programmed controls do all the work.

- 7-day programmable thermostat
- Adjusts heat output
- Controls room temperature
- Back-lit display screen
- Fuel selection
- Low fuel indicator
- Automatic cleaning cycle
- Automatically switches to 12-volt power
- Monitors 12-volt battery power
- Language selection
- Built-in diagnostics

Cover: Mt. Vernon Insert in sienna bronze with standard black panel, optional cast iron trim in sienna bronze and optional log set



Mt. Vernon in sienna bronze with optional warming shelves

SMART VERSATILE QUIET

The Mt. Vernon is technically advanced to operate automatically, and has comfort-quiet blowers, so you won't even know it is providing some of the most efficient heat available. Designed as a centerpiece for your home, the Mt. Vernon is beautifully crafted from traditional cast iron for a lifetime of warm memories.



MT. VERNON STOVE & INSERT



Mt. Vernon Insert—the quiet choice

Nothing is more inviting than a warm welcoming fire on a cold evening. That's why more families select the extra large Mt. Vernon. Its powerful engine can produce enough heat to softly warm your home day in and day out. But unlike most pellet burning stoves or inserts, there's one outstanding feature that you may totally overlook: even on the coldest of days when it generates the most heat, you'll have to strain to hear it.

Standard Features

- Classic black finish
- Cast iron fluted fire back
- Airfoil heat exchanger
- Comfort-quiet blowers
- Firepot auto clean system
- Automatic lighting and operation programs for different fuels
- Programmable thermostat wall control
- Pull-and-tip cast iron hopper lid (insert only)

Options

- *Sienna bronze* or *willow* baked enamel finish
- Porcelain *mahogany* finish
- Log set
- Firescreen
- Cast iron warming shelves (freestanding stove only)
- Insert surround panel (34-1/2" x 45")
 - For use with cast iron trim
- Basic insert surround panel (33" x 50")
 - Available with gold or black nickel trim
- Adjustable hearth support (insert only)
- Outside air kit
- 6 foot 12-volt power cord for power outage
 - Battery not included



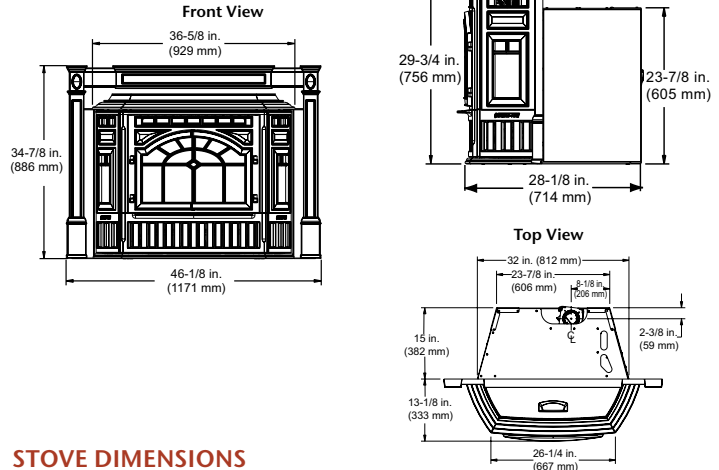
The Quadra-Fire Mt. Vernon Insert won "Best in Show" at the 2006 Hearth Industry Trade Show.

QUADRA-FIRE
NOTHING BURNS LIKE A QUAD

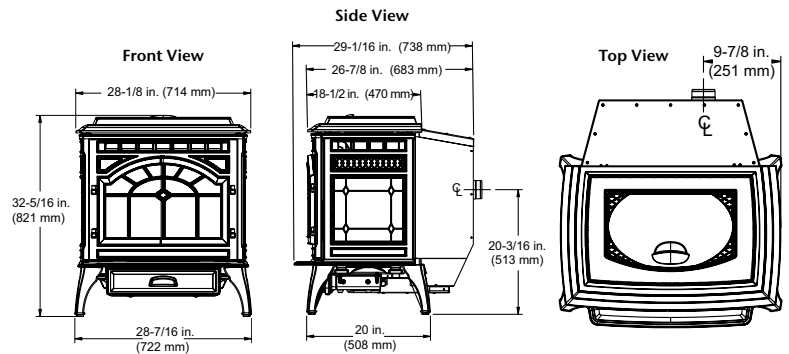
1445 North Highway, Colville, WA 99114
www.quadrafire.com • 800-926-4356

QDF-1034U-0706

INSERT DIMENSIONS



STOVE DIMENSIONS



TECHNICAL

	Insert	Stove
Btu/Hour Input*	14,620 – 60,200	14,620 – 60,200
Heating Capacity*†	2,400 – 3,800 sq. ft.	2,400 – 3,800 sq. ft.
Feed Rate*	High 7 lbs/hour; Low 1.7 lbs/hour	High 7 lbs/hour; Low 1.7 lbs/hour
Hopper Capacity	56 lbs	81 lbs
Overall Efficiency*†	81.4% – 83.6%	81.4% – 83.6%
Grams/Hour*	EPA Compliant	EPA Compliant
Flue Size	3" or 4" standard pellet pipe	
Shipping Weight	425 lbs	425 lbs

*Based on the burning of premium wood pellets, calculated at 8,600 Btus per pound

Quadra-Fire offers a Limited Lifetime Warranty on our pellet appliances to the original purchaser for the lifetime of the appliance, to be free from defects in material and workmanship. For full warranty details go to www.quadrafire.com.



Refer to the Owner/Installation Manual for complete clearance requirements and specifications. The images and descriptions in this brochure are provided to assist you in product selection only.

†Heating capacity and efficiency may differ due to climate, building construction and condition, amount and quality of insulation, location of the fireplace, type of fuel used and air movement in the home. Btu output will vary, depending on the type of fuel used. Units require standard maintenance in accordance with the owner's manual.

Quadra-Fire is a registered trademark of Hearth & Home Technologies. Product specifications and pricing subject to change without notice.

Available From: