

21 Electric Fireplace - Featuring Built-In Audio System



fireplace**x**tordinaire™



Introducing the 21 E Electric Fireplace

The most extraordinary feature of this portrait-style fireplace is the wood-like flame and glowing embers of the fire through 394 square inches of glass. With LED lights built into the log set and a pulsating ember bed, these flames simulate the look of a live wood fire. The Fireplace Xtordinaryr 21 Electric fireplace is so versatile it can be built-in to any room you choose. The 21 E fireplace is also ideal if you live in an apartment or condominium where no gas line or chimney access is available. To operate the 21 E, simply install plug it into a standard wall outlet. The 21 E is also economical to operate. Cost to operate averages approximately 3 cents an hour with the flame on for ambiance and 8 cents an hour when both flame and heater are on*.

**Based on average National residential electricity 11/07. Rates vary, heating cycle at 50% of time.*

Personalize Your Fireplace

You can personalize the finished look of your fireplace with one of 6 custom designer faces in a wide variety of colors and finishes. The quality and detail of these accessories and the realism of the flames makes Fireplace Xtordinaryr the most requested brand on the market.

Safe Around Children

Unlike a standard gas or wood fireplace, the glass on the 21 E does not get so hot it is "untouchable", reducing hazards for children and increasing safety all around.

The First Electric Fireplace with a Built-In Audio System

Enjoy music with your fire! The 21 E features two 4" high-fidelity speakers, 25 watt amplifier and an iPod/MP3/wireless streaming audio docking station with a built-in USB charging station. The fireplace comes standard with an audio connection cable and Apple™ compatible retractable charging cable.



Thermostatically Controlled Heating

A built-in 5,000 Btu heater with an air circulating fan provides gentle heat for your room. This feature makes the 21 E ideal for providing supplemental heat to bedrooms, offices and other intimate spaces - up to 400 sq. ft.

Standard Remote Control

With the remote control you have complete control of your electric fireplace. Use the remote to control:

- | | |
|------------------------|-------------------------------|
| 1. Flame & Heat On/Off | 8. Music On/Off |
| 2. Music Volume Down | 9. Music Volume Up |
| 3. Sleep Timer Down | 10. Sleep Timer Up to 8 Hours |
| 4. Flame Speed Down | 11. Flame Speed Up |
| 5. Accent Light Down | 12. Accent Light Up |
| 6. Thermostat Down | 13. Thermostat Up |
| 7. Room Temperature | |





How Green Are Electric Fireplaces?

There's no secret that today's homeowners are looking for sustainable solutions, yet they still want a product that satisfies their sense of style and desire for luxury. The 21 E Electric Fireplace does both.

You can enjoy the ambiance of the flames year-round without the heat, thus reducing the amount of energy consumed. Or with the heater turned on, the 21 E Electric fireplace operates at 100% efficiency – every bit of power used goes into warming the room. The 21 E Electric Fireplace produces no carbon monoxide or emissions because there is no combustion. Our electric fireplace does not contribute any moisture to the indoor environment, therefore eliminating any problems that can cause mold and unhealthy indoor air conditions

You Can Personalize the Way You Want the Flames To Look

One of the most remarkable features of the 21 E is the ability to control how the flames look within your fireplace. Your remote control gives complete access to controlling the intensity and speed of the flames and the intensity of the brick pattern within the firebox.

Adjust The Appearance of the Flames

Control the speed of the flames from a slow, lazy flame to a brisk raging fire image.

Top Mounted Accent Light

Control the interior accent light with the dimmer buttons on the remote control. The interior accent light, when turned on will highlight the log set and when used with the optional brick or travertine liner will help display a beautiful brick pattern along the sides and back of the firebox, giving it a more 3-dimensional look. You have the option of turning the accent light off for a dark firebox, or having the brick or travertine pattern illuminated and adjusting it from a low, soft muted light to a high, bright setting.

Face and Grill Options

Choose from different faces and grills in a wide variety of finishes. All faces are 21" W x 35" H

Choice of Six Faces



Universal Black



Classic Black



Classic Brushed Nickel



Arts & Crafts Antique Nickel Grills



French Country Black



French Country Antique Gold



Artisan™ Hand-Hammered



Arts & Crafts Antique Copper Grills

Choice of Two Grills

Interior Options

The interior of the 21E come in a black paint finish and can be upgraded with one of two optional interiors. Available in Used Brick or Travertine Stone, these interiors will give you the illusion of a real fireplace with a true three-dimension look. Use the adjustable, downward pointing accent light in conjunction with the liners to control the intensity of the effect to perfect your desired look.

Choice of Two Interior Liners



Used Brick



Travertine Stone

Finishing Your Installation

You have two ways to finish the installation of your 21 E Electric fireplace within your home. You can use one of the pre-built cabinet systems available through your Fireplace Xtordinaire dealer or you can build it into an existing wall or chase and sheetrock up to the face and simply paint or add facing like a traditional fireplace with stone or tile.

Pre-Built Fireplace Cabinets

If you are looking for exceptional value, add a pre-built fireplace mantel system and you can have your new 21 E Electric fireplace installed in less than one hour! A 15 AMP, 110 VOLT wall outlet is required. These fireplace mantels allow the fireplace to be installed against any wall in your home. Pre-built fireplace mantels also make it easy to relocate your fireplace at any time.

Mantels are available from:
J. C. Huffman Cabinet Co.
www.jchuffman.com
and
Grand Mantels
www.grandmantel.com



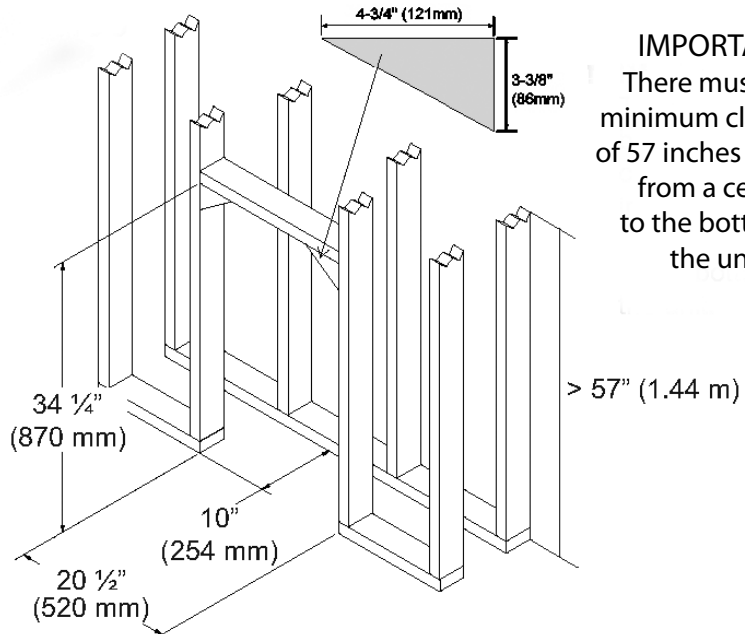
Artisan Hand-Hammered face with Arts & Crafts grill shown installed in a pre-built wall cabinet by J. C. Huffman Cabinet Company.

Built-In Installation

If you want a flush-to-the-wall look for your fireplace, you have the option of building in or framing around your 21 E Electric fireplace.

When framing the 21 E enclosure you must use the following MINIMUM internal opening dimensions shown to the right.

The fireplace can be hard-wired to a 15 AMP 110 volt circuit. Consult your local electrical codes.



IMPORTANT:
There must be a minimum clearance of 57 inches (1.44 m) from a ceiling to the bottom of the unit.



fireplacextordinaire™
REDISCOVER FIRE

See our complete line of fireplaces
Visit us online: www.fireplacex.com

Photos and illustrations are for descriptive purposes only. We reserve the right to improve or change our products without prior notification. and all other trademarks belong to Travis Industries, inc. Consult the Owner's Manual for complete installation requirements.