

Revolution™ 36 CF ST & Pier Clean Face Gas Fireplace



fireplace**xtordinaire**™



Revolution 36CF See-Through

Classic Looks

The latest additions to the growing line of Fireplace Xtrordinair clean face fireplaces, the Revolution™ CF See-Through and the Pier allow you architecturally significant, 2-sided and 3-sided fireplaces to enhance the character of your home. The Revolution 36CF See-Through and Pier combine the classic fireplace look with no grills or louvers, and the slim outside trim allows a huge view of the fire. The 36CF See-Through and Pier also allow you to personalize the look of your fireplace with beautiful decorative options including reversible brick firebacks and high quality andirons. Both the See-Through and Pier feature accent lights as a standard feature that allow you to enjoy your fireplace, even when the fire is off.

36CF See-Thru/Pier Gas Fireplaces

Model 36CF See-Through & Pier

These fireplaces are intended to both separate and unite adjacent living areas with the beauty and warmth of fire. The opportunities to use these products in a home are many. Separating a living room from a dining room is probably the most common application, but why not place a See-Through fireplace between your master bedroom and bath? Or between an entry hall and a dining room. The Pier unit would be a delight if placed between a kitchen and family room, where you want a bit of separation, but still accommodate access to the view of the fire from many points in this busy area.

Your Green Choice In Clean Face Fireplaces



With a Steady State Efficiency of over 70% and an electronic gas valve that allows you to run your fireplace in either “Intermittent Pilot Mode” or “Standing Pilot Mode,” the Revolution fireplace makes the ideal choice for those looking for a Green Alternative to other heat and gas wasting Clean Face fireplaces.

Advanced Performance

There’s nothing traditional about the Revolutions’ performance. You have the ultimate in variety and control with variable flame regulation and heat output. The built-in flame control center is completely hidden so your only focus is on the fire. The dancing yellow flames interact with a remarkably realistic seven-piece wood log set on an iron log grate. The 58,000 Btus burner has a great turn-down ratio to 27,000 Btus on low, providing a warm, glowing ember bed just right for contemplative moments. Both units are bedroom & mobile home approved and vent on the side at 45 degrees to make an easy transition to either horizontal or vertical flues.

Alpha Remote Control

Our Alpha™ Remote Control handset gives you unlimited control of your fireplace. Includes backlit LCD screen and wall mounted holder.

With the Alpha Controller you can:

1. Switch between Standing Pilot and Intermittent Pilot
2. Flame Height (six settings)
3. Burner ON/OFF, manual control
4. Thermostat temperature setting
5. Accent Light ON/OFF and light intensity (three settings)
6. Optional Power Heat Duct Fan ON/OFF
7. Fully programmable weekend or weekday settings
8. Countdown shut off timer

Accent Light

Accent lights are a standard feature in both fireplaces, and the 2 lights in the ceiling of the fireplace shine down on the logs for a great presentation. The lights, also controlled



with the Alpha control, can be turned on or off and adjusted to three levels of illumination to suit your mood.

Design Your Own Look

A selection of three optional andirons are available, use one or two sets or mix and match. Firebacks are required, and are offered in three choices, Straight Brick reversible to Herringbone, Diamond Mosaic reversible to Stucco, and sleek contemporary Brushed Stainless Steel.

Add Heat To Additional Rooms

One or two Power Heat Duct Kits may be installed to capture heat from the sealed heat collection plenum and transfer it to an additional room(s) in your home. This venting option uses a remote fan to pull heat off the fireplace and deliver it to an adjoining room. You can direct this heat upstairs, downstairs or anywhere in your home within 20 feet of the fireplace.



Alpha Remote Control



Revolution 36CF See-Through Fireplace

36CF See-Through/Pier Gas Fireplaces

Revolution Model 36 CF See-Through - A Fireplace With Two Points of View!

With two sides and 2,160 sq. inches of viewing glass the Revolution 36CF See-Through fireplace by Fireplace Xtordinaire lets you unite two rooms previously seperated, Living room/dining room is probably the most common application, but you can place this fireplace between any two rooms where you want to add the warmth and beauty of dancing flames.

Three Fireplace Liner Choices, Five Different Looks



Reversible:
Common
Straight
Brick Pattern
on one side



Herringbone
Brick Pattern
on the other



Reversible:
Diamond
Mosaic Tile
Pattern on
one side



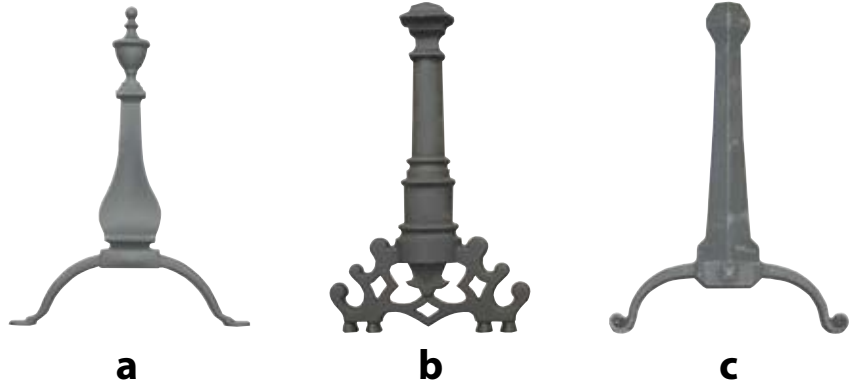
Stucco Wall
Pattern on
the other



Brushed
Stainless
Steel

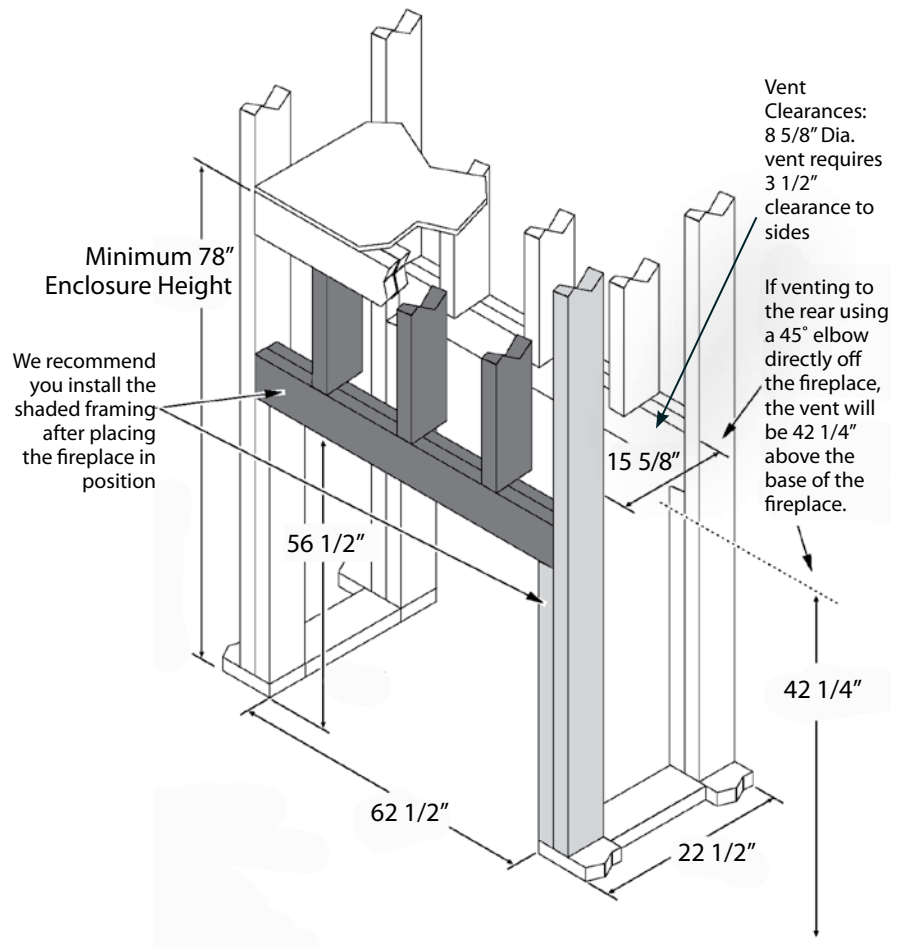
Decorative Andiron Choices

Choose from three different cast iron andirons to finish the interior and accent the beautiful logs and flames. (a) Colonial; (b) Arabesque or (c) Wrought Iron.



Basic 36CF See-Through Framing Dimensions

Please refer to Instalation Manual for complete installation instructions. Manuals available at www.fireplacex.com





Revolution 36 CF Pier Fireplace

36CF See-Through/Pier Gas Fireplaces

Revolution Model 36 CF Pier - A beautiful view of the fire from virtually anywhere in the room!

With an amazing 2,802 sq. inches of glass, the Revolution 36CF Pier by Fireplace Xtrordinair will make the ultimate three-sided fire statement in your home. This fireplace is ideal when placed between a dining area and family room, where you want a bit of separation, but still accommodate access to the view of the fire from many points in this busy area.

Three Fireplace Liner Choices, Five Different Looks



Reversible:
Common
Straight
Brick Pattern
on one side



Herringbone
Brick Pattern
on the other



Reversible:
Diamond
Mosaic Tile
Pattern on
one side



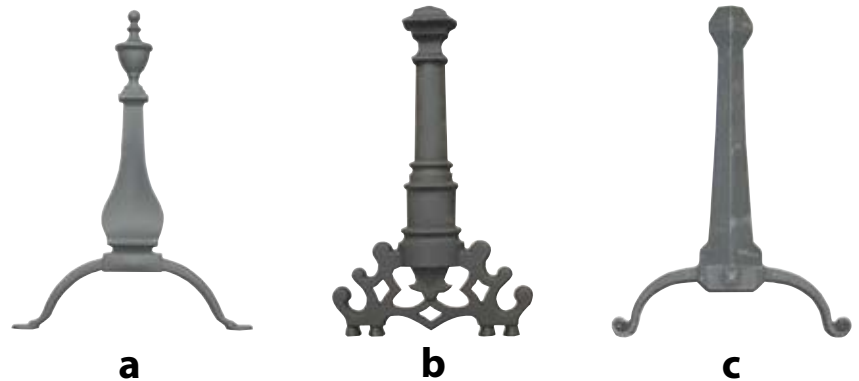
Stucco Wall
Pattern on
the other



Brushed
Stainless
Steel

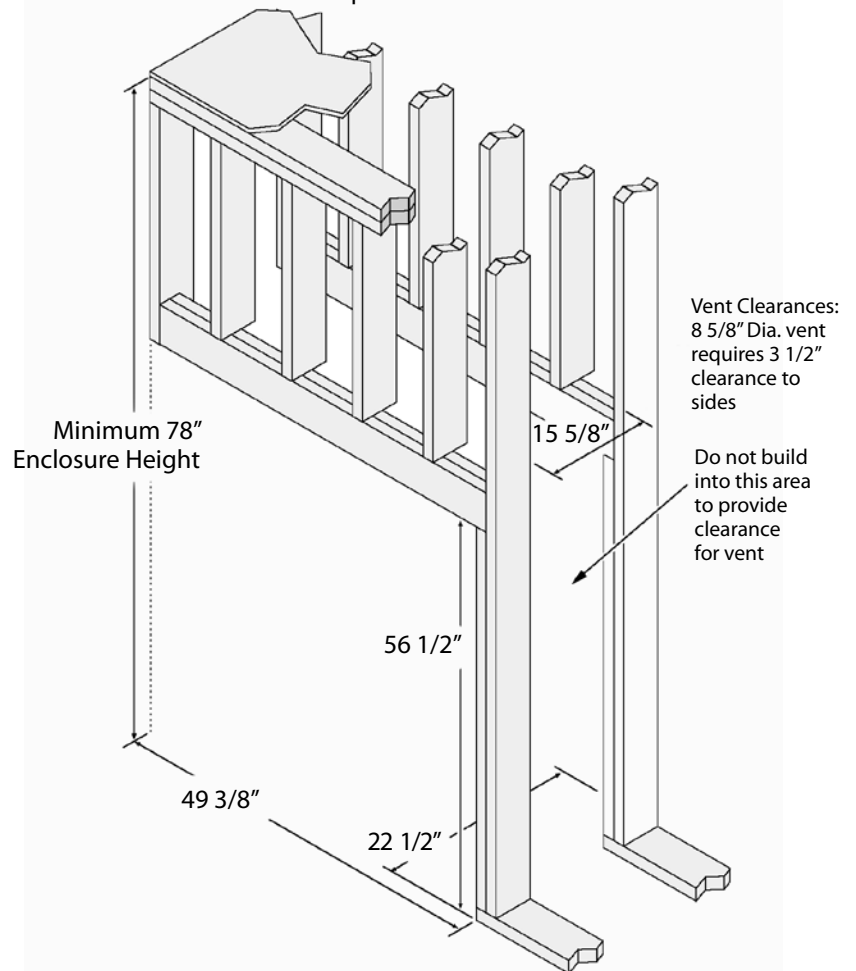
Decorative Andiron Choices

Choose from three different cast iron andirons to finish the interior and accent the beautiful logs and flames. (a) Colonial; (b) Arabesque or (c) Wrought Iron.



Basic 36CF Pier Framing Dimensions

Please refer to Installation Manual for complete installation instructions. Manuals available at www.fireplacex.com



Model 36CF See-Through & Pier Features

- No grills for a traditional masonry fireplace look.
- Natural Gas (NG) or Propane (LP) operation.
- Durable, high temperature, 5mm silica coated ceramic glass.
- Realistic seven piece logset - a different look from all sides
- **Operate Your Fireplace Green** - The Electronic Gas Valve can be run for greater efficiency in the “Intermittent Pilot Mode” with the gas pilot turned off until you need it or “Standing Pilot Mode,” with the gas pilot always on, for reliable cold weather operation.
- All performance can be operated by the hand-held Alpha Remote Control.
- Uses Travis Industries 8 5/8” x 6” chimney vent.
- Seven Year “Real World” warranty.

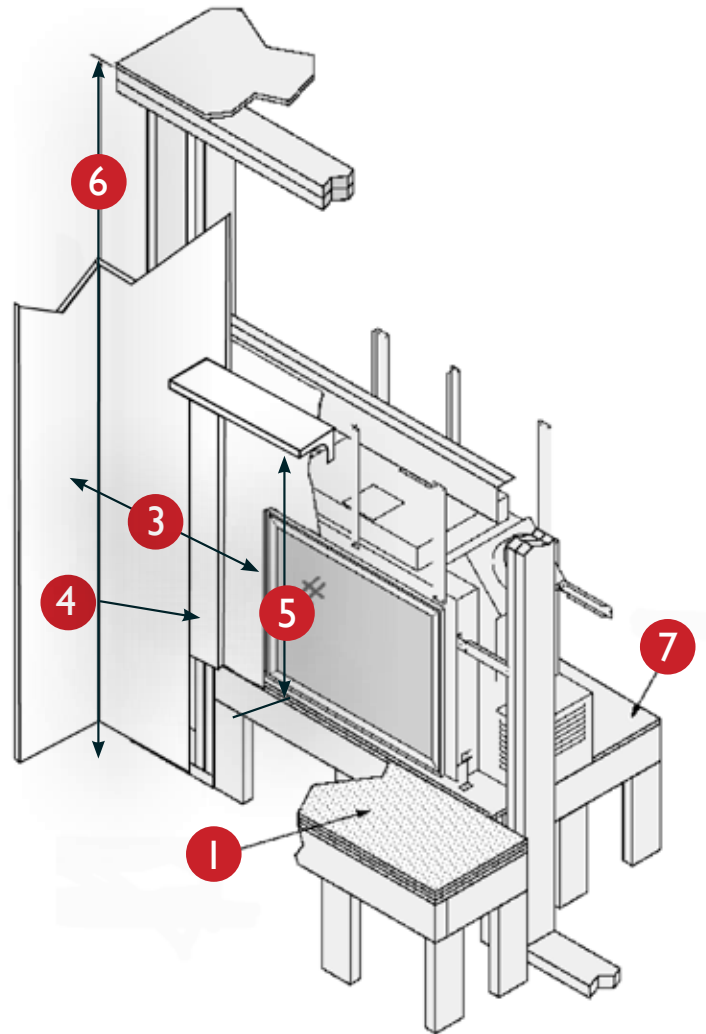
Clearances To Combustibles

This information provides only basic clearance information, see the Installation Manual or visit www.fireplacex.com under Revolution 36CF See-Through or 36CF Pier Gas Fireplace for complete installation and clearance information.

1. **Hearth Requirements:** Extends 10” from face and 64” wide when installed flush to the floor. Not required when unit is raised at least 6”
2. **Non-Combustible Facing:** The non-combustible facing is provided with the fireplace. Facing will extend 3/4” beyond the framing dimension of the fireplace.
3. **Side Wall Clearance:** When installed, walls that protrude to the sides of the fireplace must be a min. of 12” from the glass frame (tile stop).
4. **Combustible mantle column (legs) that protrude less than 4” must be 2” from the glass frame. If more than 4” thick use the Side Wall Clearance of 12” from the glass frame.**
5. **Mantle Clearances:** 49 1/2” from base of fireplace. Maximum allowed mantle depth is 12”.
6. **Minimum Ceiling Height:** 96”. Measured from base of fireplace.
7. **The fireplace must be placed directly on the sub-floor or wood platform. Fireplace must be installed on a level surface capable of supporting the fireplace and vent.**

Gas Input Rating & Performance

- **Adjustable High Heat System:**
27,000 - 58,000 Btus (NG)
27,000 - 58,000 Btus (LP)
- **Your Green Building Choice:**
Steady State Efficiency: estimated at up to 70% (in Electronic Ignition Mode).
- **Heater Rated Fireplace:** Heats up to 1,000 sq. ft.*
* Heating capacity will vary depending on the temperature zone you live in.



Your Authorized Fireplace Xtrordinaire Dealer Is Located At:



Photos and illustrations are for descriptive purposes only. We reserve the right to improve or change our products without prior notification. Trademarks belong to Travis Industries, inc. Consult the Owner's Manual for complete installation requirements.